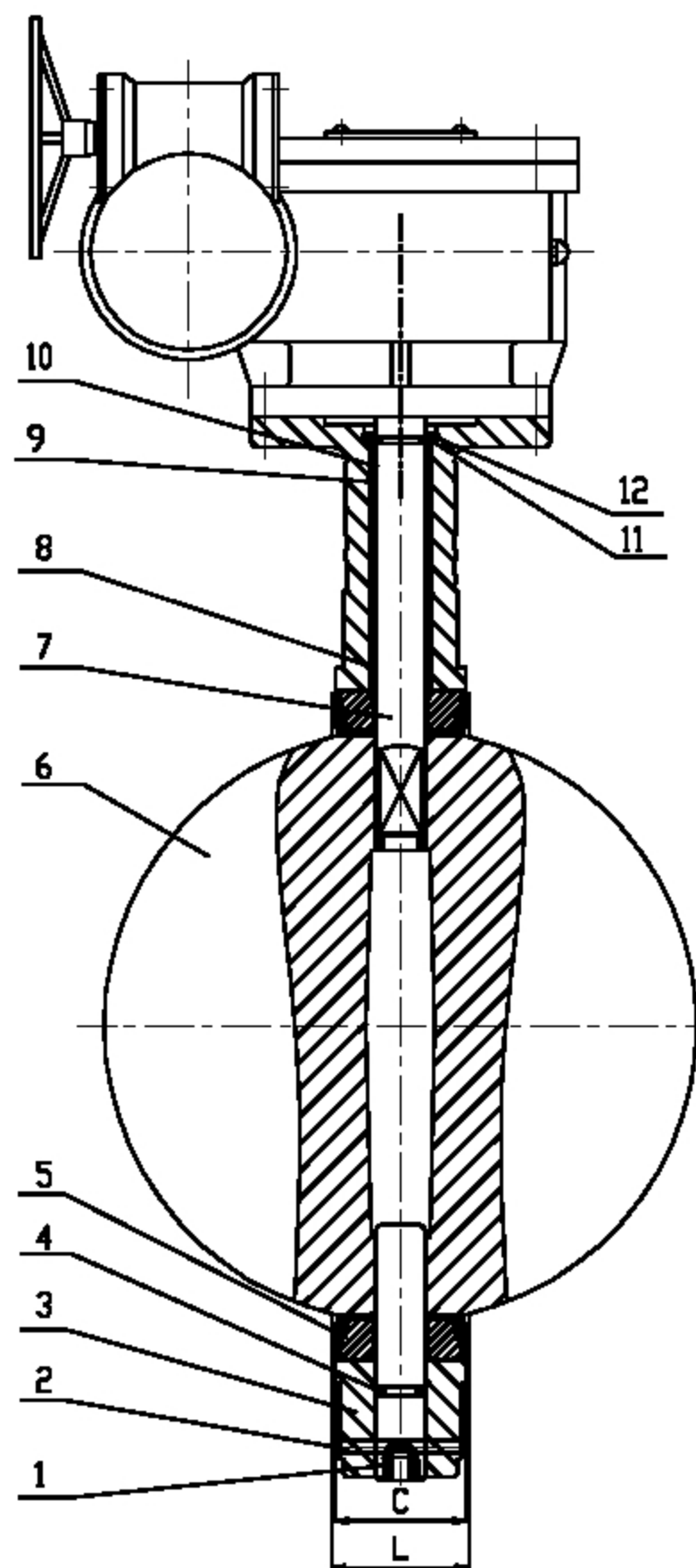
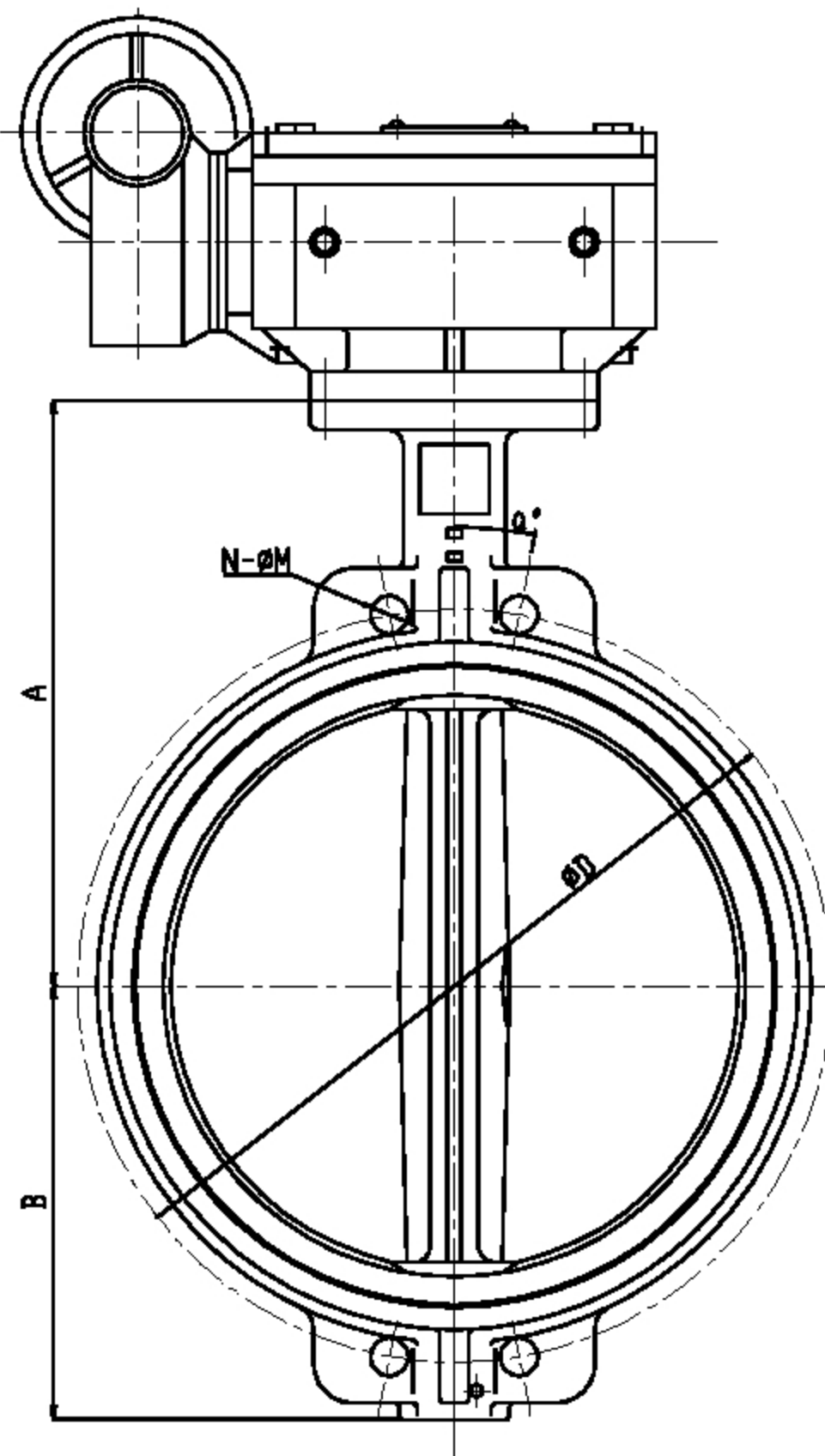


NOMINAL PRESSURE	1.0	MPa
SHELL TEST PRESSURE	1.5	
SEAL TEST PRESSURE	1.1	



1.CONNECTION FLANGE COMPLY WITH DIN 2501 PN10
 2.TOP FLANGE COMPLY WITH ISO5211

12	RETAINER RING	1	65Mn
11	HALF RING	2	1Cr13
10	O-RING	1	EPDM
9	SHORT BUSHING	2	F4
8	MIDDLE BUSHING	1	F4
7	UPPER SHAFT	1	SS416
6	DISC	1	DI
5	SEAT	1	EPDM
4	SMALL O-RING	1	EPDM
3	BODY	1	CI
2	LOCK PINS	1	65Mn
1	LOWER SHAFT	1	SS416
NO.	NAME	NUM	MATERIAL

SIZE	DIM. A	B	C	L	ØD	N-ØM	α°
DN350(14")	368	267	74	79.5	460	4-Ø23	11.25°
DN400(16")	400	297	85.7	90	515	4-Ø28	11.25°
DN450(18")	422	315	104.6	109	565	4-Ø28	9°
DN500(20")	480	348	130.28	135	620	4-Ø28	9°

**ROBINET CLAPA FLUTURE CENTRICA, TIP WAFER,
 CORP INELAR, DN350-DN500 PN10**