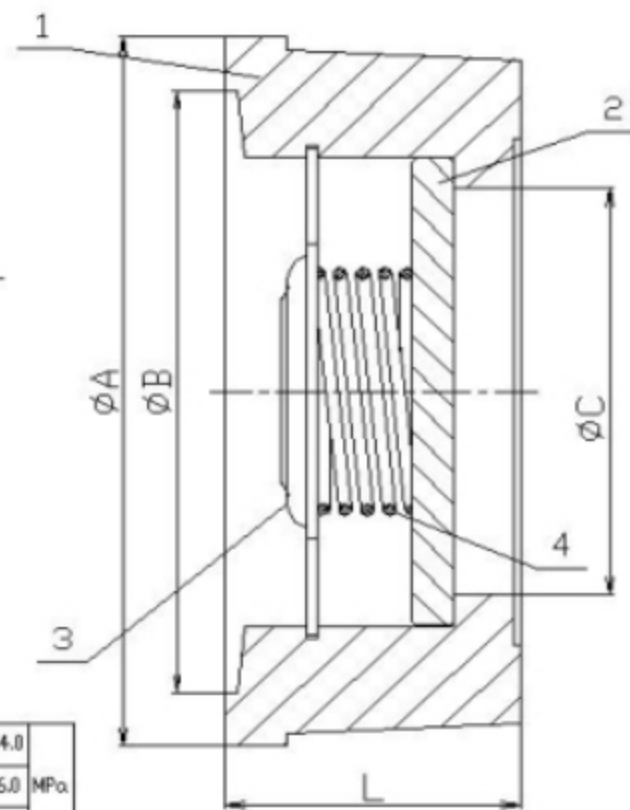
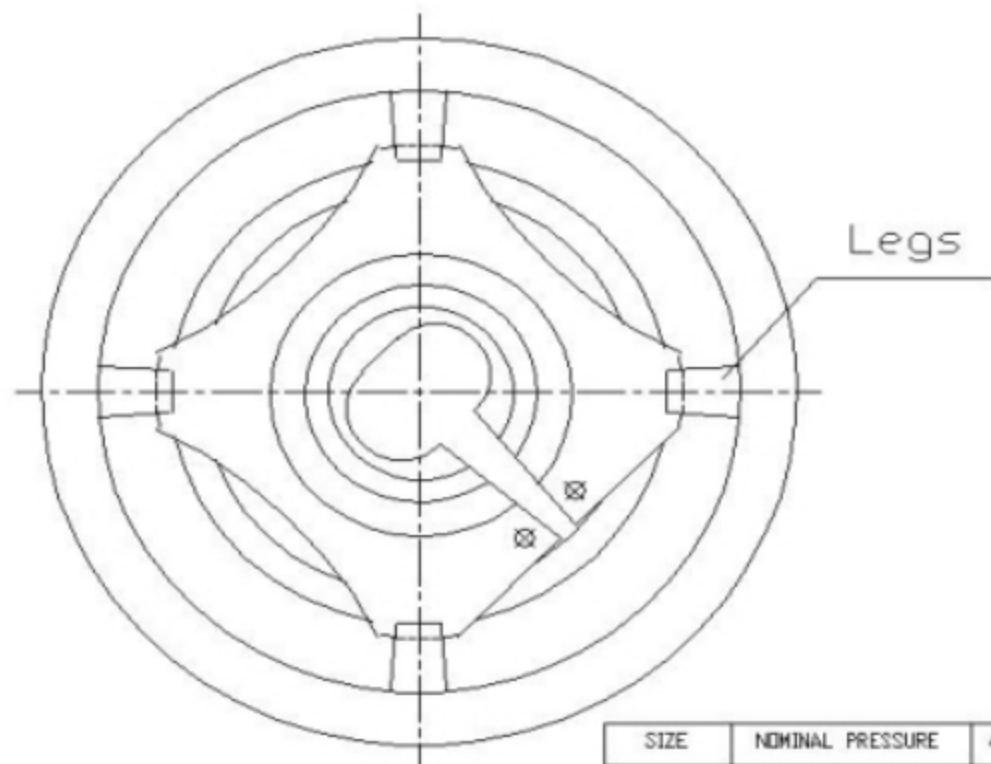


# ROBINET DE RETINERE CU ARC PN40 DN15-DN100



SIZE	NOMINAL PRESSURE	4.0
DN15-DN100	SHELL TEST PRESSURE	6.0 MPa
	SEAL TEST PRESSURE	4.4

NOTE: 1) DN15- DN40: 3 Legs.

DN50-DN100: 4 Legs.

2) Working Temperature:  $-15^{\circ}\text{C} \sim 235^{\circ}\text{C}$

4		SPRING	1	SS316		
3		SPRING RETAINER	1	SS316		
2		DISC	1	SS316		
1		BODY	1	SS316		
NO.	CODE	NAME	QU.	MATERIAL	WEIGHT	NOTES

SIZE	INCH	$\frac{1}{2}''$	$\frac{3}{4}''$	1"	$1\frac{1}{4}''$	$1\frac{1}{2}''$	2"	$2\frac{1}{2}''$	3"	4"
	mm	15	20	25	32	40	50	65	80	100
$\phi A$		38.8	46	54	68.5	78	90	111	128	148.5
$\phi B$		28.5	35.6	43	52.6	63.4	74.6	95.5	108.5	126.2
$\phi C$		15	20	25.3	31	39.2	48.1	61.5	75	85
L		16.1	19.1	22.1	27.1	30.5	39.3	45.3	47.8	57.9

Disco Check Valve  
DN15-DN100

ASSEMBLY