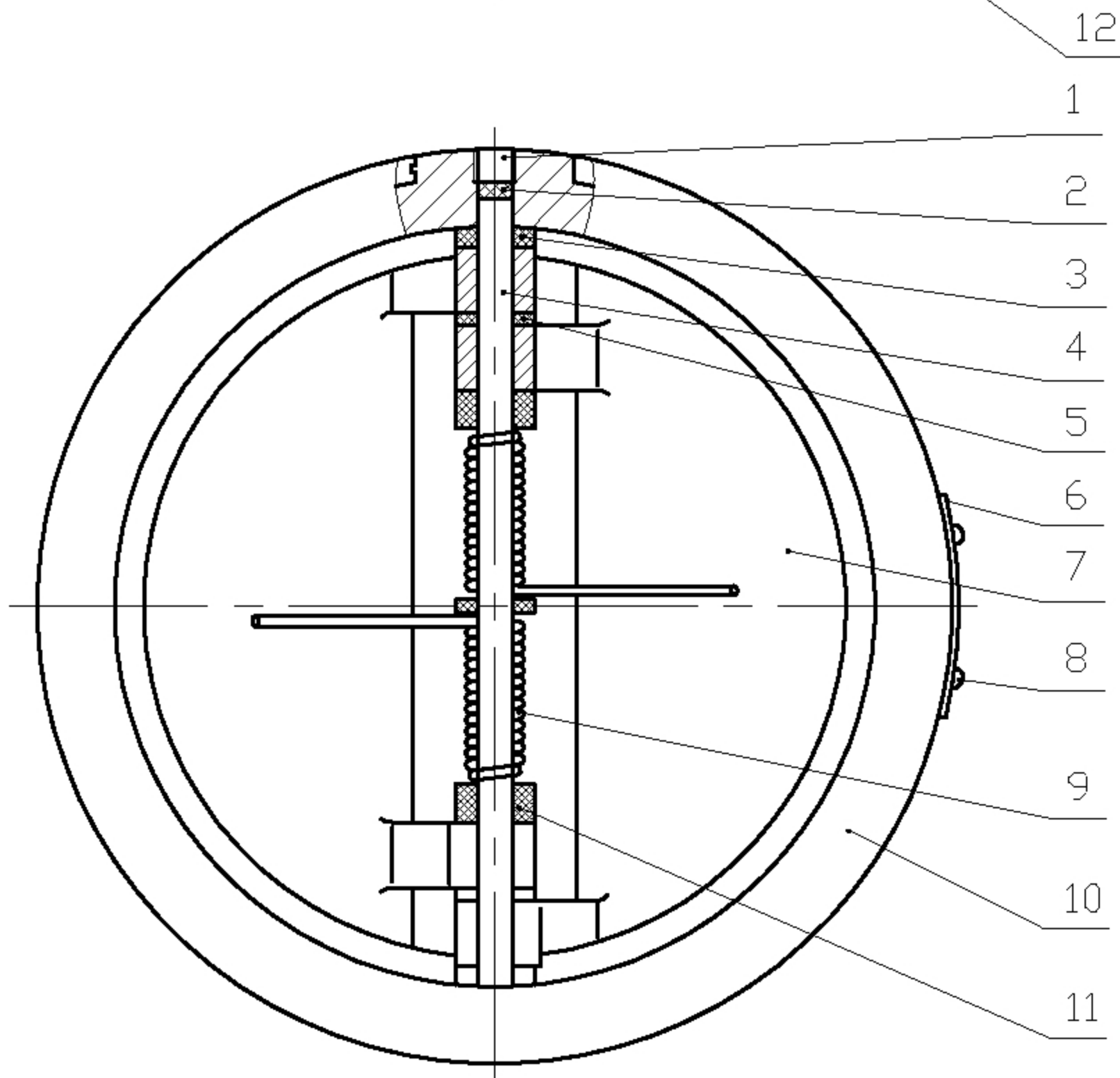
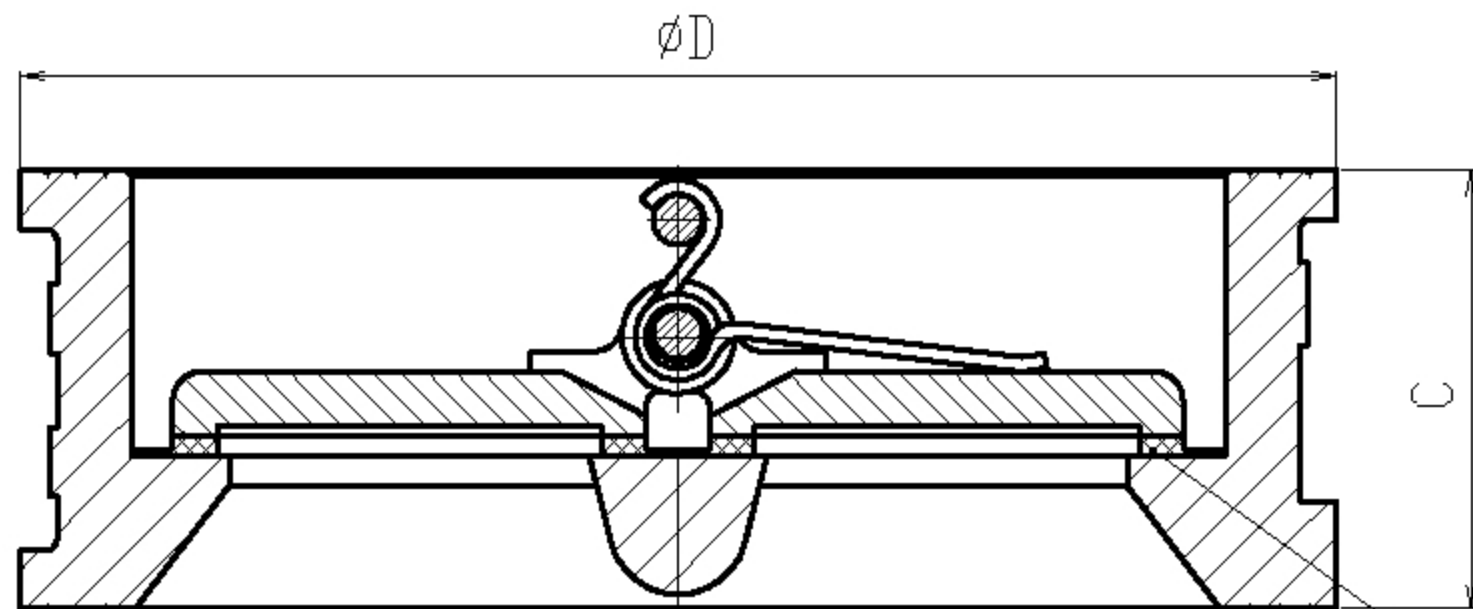


ROBINET DE RETINERE DUBLU DISC

DN50-DN300: PN16

DN350-DN400: PN10



SIZE	NOMINAL	1.6	Mpa
2"-12"	SHELL TESTING PRESSURE	2.4	
	SEALING TESTING PRESSURE	1.76	
SIZE	NOMINAL	1.0	Mpa
14"-24"	SHELL TESTING PRESSURE	1.5	
	SEALING TESTING PRESSURE	1.1	

SIZE	DIM.	C	ϕD			
DN50(2")		43	101			
DN65(2.5")		46	121			
DN80(3")		64	129			
DN100(4")		64	156	12	SEAT	NBR/EPDM/VITON
DN125(5")		70	187	11	WASHER	2 F4
DN150(6")		76	213	10	BODY	1 CI
DN200(8")		89	267	9	SPRING	2 SS316
DN250(10")		114	327	8	PLATE RIVET	2 L3
DN300(12")		114	375	7	DISC	2 DI
DN350(14")		127	420	6	LABLE	1 H62
DN400(16")		140	483	5	WASHER	3 F4
DN450(18")		152	537	4	STEM	2 SS316
DN500(20")		152	592	3	DISC RING	2 F4
DN600(24")		178	695	2	STEM WASHER	4 NBR/EPDM
				1	SCREW	4 Q235-A
				NO.	NAME	NUM. MATERIAL



CHECK VALVE
DN50-DN600

ASSEMBLY